

Make the following circuit using 4 resistors and a 9 volt DC power supply.

Theoretical Values:

Coded Resistances:

$R_1 =$ _____
 $R_2 =$ _____
 $R_3 =$ _____
 $R_4 =$ _____

Calculated Currents:

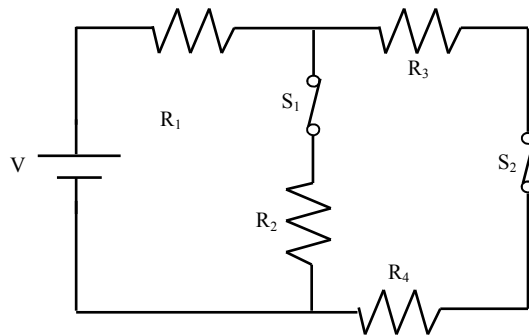
$I_1 =$ _____
 $I_2 =$ _____
 $I_3 =$ _____
 $I_4 =$ _____

Calculated Voltage Drops:

$V_1 =$ _____
 $V_2 =$ _____
 $V_3 =$ _____
 $V_4 =$ _____

What would be the voltage drop for R_1 when only S_1 is open?

What would be the voltage drop for R_1 when only S_2 is open?



Measured Values:

$V =$ _____

Resistances:

$R_1 =$ _____
 $R_2 =$ _____
 $R_3 =$ _____
 $R_4 =$ _____

Currents:

$I_1 =$ _____
 $I_2 =$ _____
 $I_3 =$ _____
 $I_4 =$ _____

Voltage Drops:

$V_1 =$ _____
 $V_2 =$ _____
 $V_3 =$ _____
 $V_4 =$ _____

What is the voltage drop across R_1 when only S_1 is open?

What is the voltage drop across R_1 when only S_2 is open?