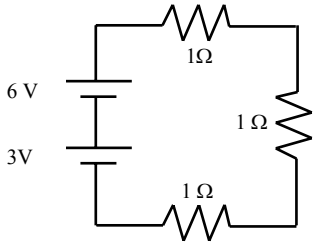


Name: _____

Period: _____

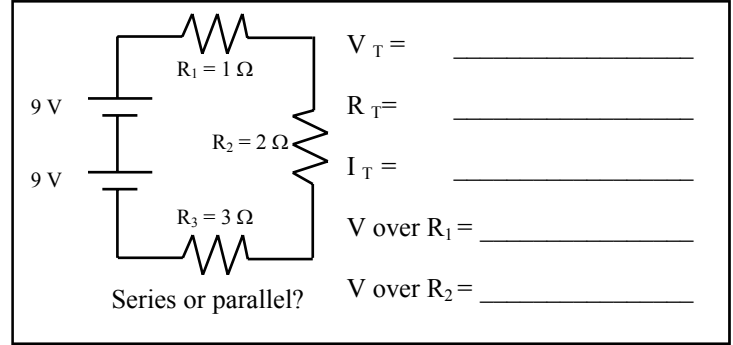
Find the following quantities:



$V_T =$ _____

$R_T =$ _____

$I_T =$ _____



$V_T =$ _____

$R_T =$ _____

$I_T =$ _____

V over $R_1 =$ _____

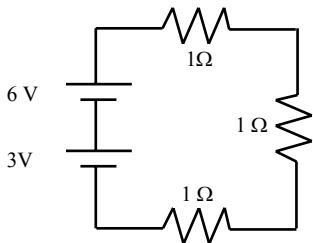
V over $R_2 =$ _____

Work on back

Name: _____

Period: _____

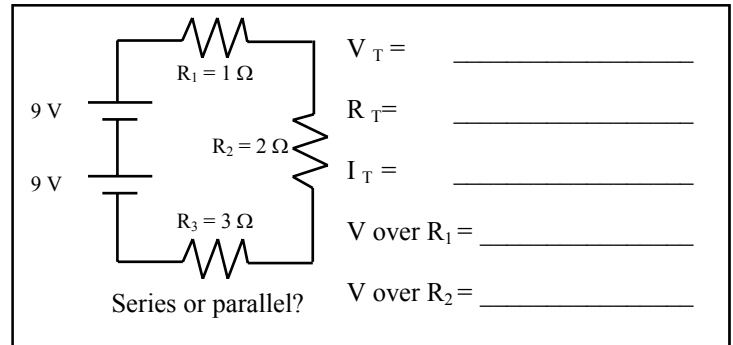
Find the following quantities:



$V_T =$ _____

$R_T =$ _____

$I_T =$ _____



$V_T =$ _____

$R_T =$ _____

$I_T =$ _____

V over $R_1 =$ _____

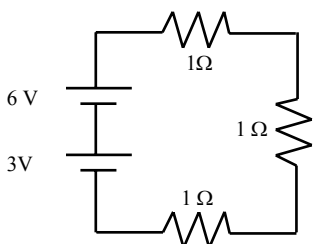
V over $R_2 =$ _____

Work on back

Name: _____

Period: _____

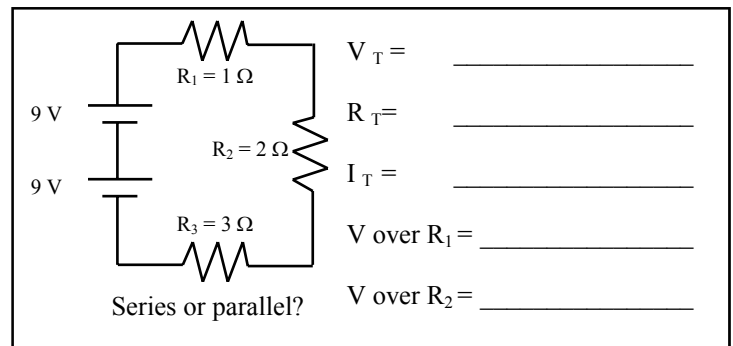
Find the following quantities:



$V_T =$ _____

$R_T =$ _____

$I_T =$ _____



$V_T =$ _____

$R_T =$ _____

$I_T =$ _____

V over $R_1 =$ _____

V over $R_2 =$ _____

Work on back

Don't forget the front side

Describe a short-circuit and why it is not done on purpose.

Draw a circuit with a battery, 2 lightbulbs, and a switch.

Short –circuit one of the light bulbs and show what will happen to the light bulbs.

Don't forget the front side

Describe a short-circuit and why it is not done on purpose.

Draw a circuit with a battery, 2 lightbulbs, and a switch.

Short –circuit one of the light bulbs and show what will happen to the light bulbs.

Don't forget the front side

Describe a short-circuit and why it is not done on purpose.

Draw a circuit with a battery, 2 lightbulbs, and a switch.

Short –circuit one of the light bulbs and show what will happen to the light bulbs.
