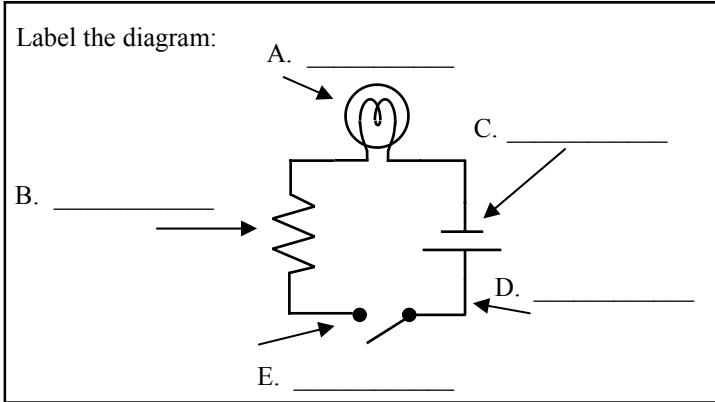


Name: \_\_\_\_\_  
Period: \_\_\_\_\_

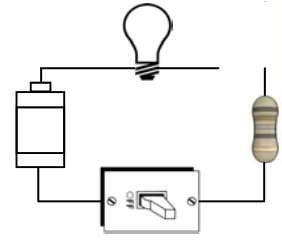
HW—6:2 — Circuits and Symbols  
Mr. Murray, IPC  
www.aisd.net/smurray

Assigned: Mon., 3/29/04  
Due: Wed., 3/31/04



Is this circuit  
open or closed?

Will the light bulb light?



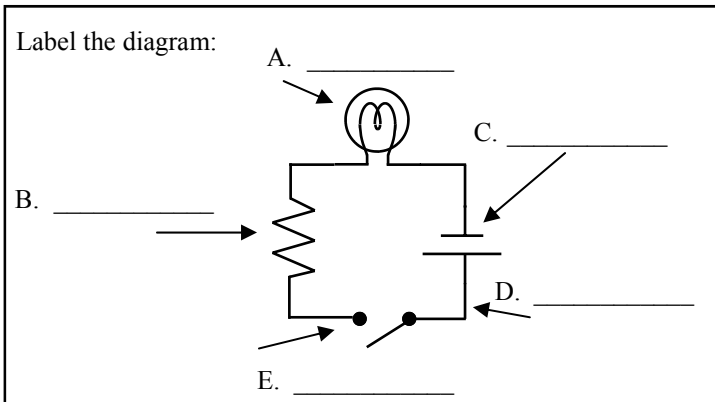
On the back a circuit diagram (starting on the left): a battery, a lightbulb, a switch, and a resistor. Make sure it is a closed circuit, connected with wires.

**Draw the circuit on back**

Name: \_\_\_\_\_  
Period: \_\_\_\_\_

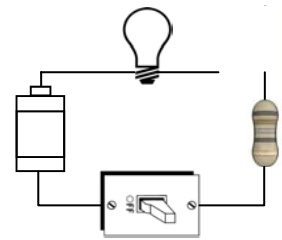
HW—6:2 — Circuits and Symbols  
Mr. Murray, IPC  
www.aisd.net/smurray

Assigned: Mon., 3/29/04  
Due: Wed., 3/31/04



Is this circuit  
open or closed?

Will the light bulb light?



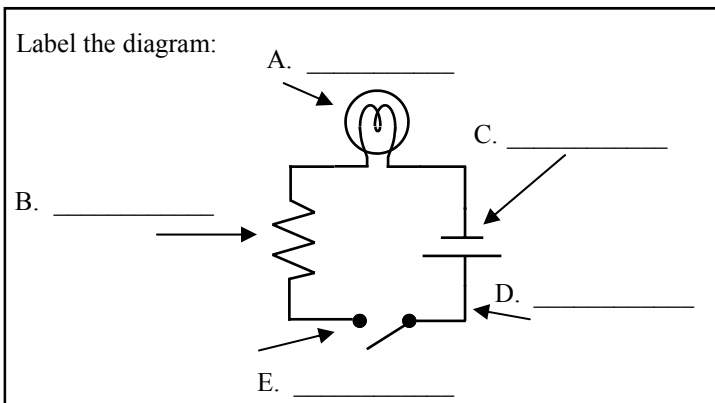
On the back a circuit diagram (starting on the left): a battery, a lightbulb, a switch, and a resistor. Make sure it is a closed circuit, connected with wires.

**Draw the circuit on back**

Name: \_\_\_\_\_  
Period: \_\_\_\_\_

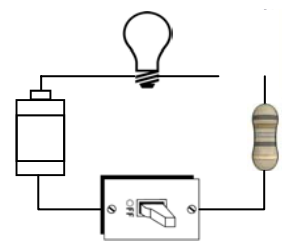
HW—6:2 — Circuits and Symbols  
Mr. Murray, IPC  
www.aisd.net/smurray

Assigned: Mon., 3/29/04  
Due: Wed., 3/31/04



Is this circuit  
open or closed?

Will the light bulb light?



On the back a circuit diagram (starting on the left): a battery, a lightbulb, a switch, and a resistor. Make sure it is a closed circuit, connected with wires.

**Draw the circuit on back**