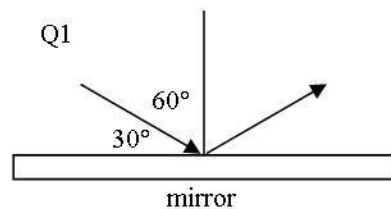


Name: _____

Period: _____

Light and Optics In Class Review 2

- For the diagram at the right what is the angle of reflection? 60° *same incoming ray*
 - What is the focal length of the mirror? *none (or ∞)*
 - Which is the real side of the mirror? *top or bottom?*



- Find the critical angle for light passing from water to glass.

$$\sin \theta_c = \frac{n_2}{n_1} \quad \theta_c = \sin^{-1} \left(\frac{1.33}{1.52} \right) = 61^\circ$$

- What is the speed of light in a cubic zirconium ($n = 2.20$)?

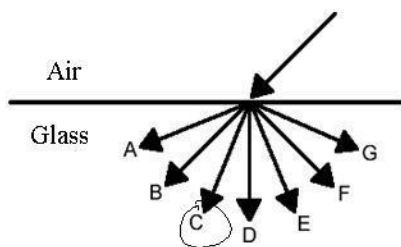
$$n = \frac{c}{v} \quad v = \frac{c}{n} = \frac{3 \times 10^8}{2.20} = 1.36 \times 10^8 \text{ m/s} \quad \text{-2w -4bl.}$$

- Why does light refract? (Be specific as to direction, too.)

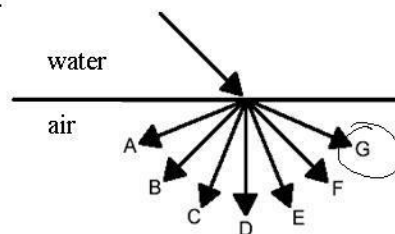
Light changes speed as it passes into a different substance. If light hits at an angle, it bends. It bends toward the normal if it goes from fast to slow.

- Decide which way light will refract as it passes from the top medium into the bottom medium.

i.

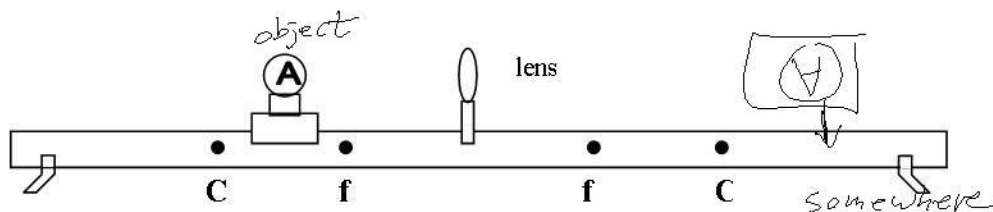


ii.



- In example i, above,

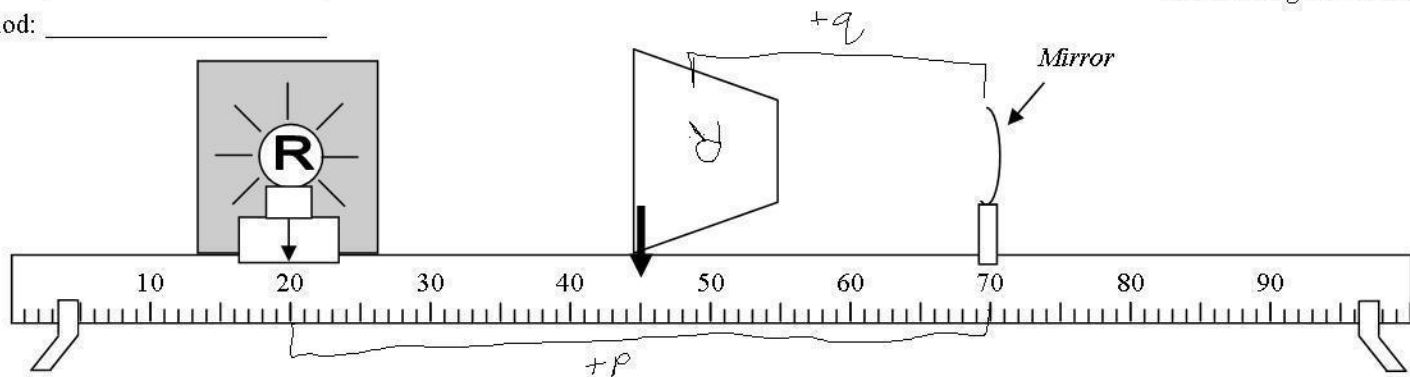
- Which substance has a faster speed of light? *air*
- Which substance has a higher frequency? *same*
- Which substance has a longer wavelength for light? *air*



- Use the above setup to answer the following questions.

- Label the object.
- Will the image be real or virtual?
- Will the image be magnified, reduced, or 1?
- Which way would you move the object to increase the size of the image? *toward f*
- Draw where you think the image might be.
- Where would you put the object is you wanted a magnification of 1? *at C (where $p=q$)*
- Where would the image be if you put the object at f? *no where*

- (From the July 2004 Exit Level TAKS test.) When trying to spear a fish in water, a person needs to take into account the way light bends as it moves from water into air. The bending of light as it passes from one medium into another is know as— *refraction*



9. The above shows a light source creating an image on a piece of paper from a mirror.
- Mark p , q , h and h' .
 - What kind of mirror is it? *concave*
 - Will the image be real or virtual? *real*
 - Why? *p is far away from mirror. ($p > q$)*
 - Which is bigger p or q ?
 - So, without calculating, will the image be magnified or reduced?
 - + or -: p $+$; q $+$; f $+$; h $+$; h' $-$.
 - Calculate the focal length and magnification of the lens.

$$\frac{1}{50} + \frac{1}{25} = \frac{1}{f}$$

$$.02 + .04 = \frac{1}{f}$$

$$.06 = \frac{1}{f}$$

$$f = \frac{1}{.06} = 16.7 \text{ cm}$$

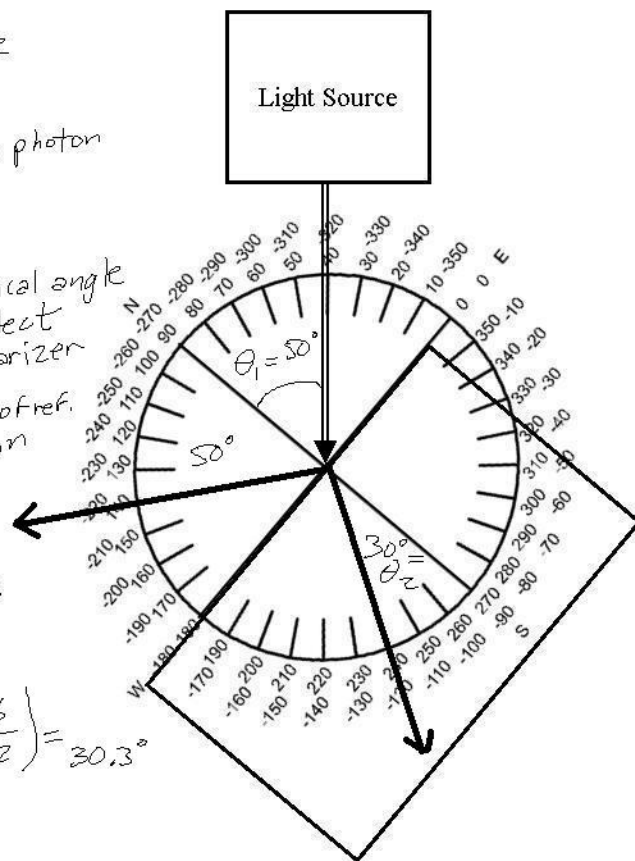
$$M = \frac{-q}{p} = \frac{-25}{50} = -.5$$

should be half the height

- | | | |
|---------------------------|----------------|---------------------|
| Total internal reflection | Polarizer | Fiber Optics |
| Photon | Critical angle | Index of Refraction |
| Electromagnetic Spectrum | Laser | Dispersion |

10. Use this word bank for the following definitions. Words will be used more than once.

- Includes radio waves, x-rays, and microwaves. *electromagnetic spectrum*
- Is the principle used by fiber optics. *total internal refl*
- Two of these at right angles can cancel out light. *polarizer*
- If this number is bigger, the light refracts more. *index of reflection*
- A single packet or particle of light. *photon*
- Angle at which light refracts at 90° to the surface. *critical angle*
- When white light separates into its different colors. *dispersion*
- A light source that has only one wavelength of light. *laser*
- Given off when the excited electrons in the atom fall to a lower orbit. *photon*
- A tube that can guide light, even around corners. *fiber optics*
- Beyond this, light reflects instead of refract. *critical angle*
- Will not spread out when passed thru a prism. *Laser*
- All light, both visible and invisible. *electromagnetic*
- If the incoming ray is within this amount light will refract thru. *critical angle*
- When light becomes trapped inside a substance. *total int. reflect*
- After passing thru one of these all of the light is in one direction. *polarizer*
- Light amplification by stimulated emission of radiation. *laser*
- A number that tells you how slow light moves in a substance. *index of ref.*
- What happens to white light when it passes thru a prism. *dispersion*
- Works by total internal reflection. *fiber optics*



11. The diagram at the right shows light passing from air into a piece of glass.

- What is the incoming angle? 50°
- Calculate the refracted angle (in the glass).

$$n_1 \sin \theta_1 = n_2 \sin \theta_2$$

$$1 \sin 50^\circ = 1.52 \sin \theta_2$$

$$.766 = 1.52 \sin \theta_2$$

$$\frac{.766}{1.52} = \sin \theta_2$$

$$\theta_2 = \sin^{-1} \left(\frac{.766}{1.52} \right) = 30.3^\circ$$
- Draw the reflected light ray inside the glass block.